

SNOW GUARD FOR STANDING SEAM ROOF, PISKO UNISEAM

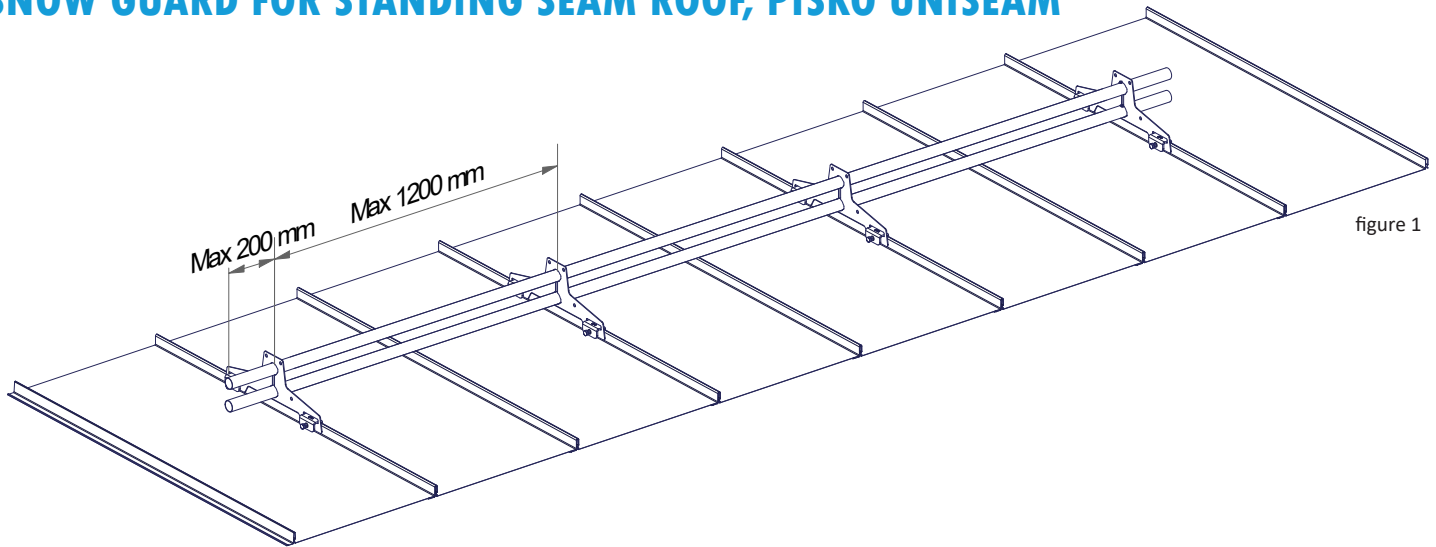


figure 1

INSTALLATION

The snow guard must be positioned as close to the eaves as possible so that the load of the snow is directed towards load-bearing structures.

Pisko UniSeam snow guard fasteners are mounted using the UniSeam tightening clamps. The tightening clamps are inserted into the holes in the fastener (figure 6). The snow guard fastener is mounted to the snap-lock standing seam roofs on the full side of the seam (Figure 2) and to the Tinsmith standing seam roofs on the folded side of the seam (figure 3). **NB! The bolt of tightening clamp must always be against the fastener, NOT against the seam (figure 7).**

Tightening torque of the fastening bolt is 35 N/m. Correct tightening torque will spread out the tightening clamp a bit, in order to create a tight long-lasting connection (figure 4).

Slide the snow guard pipes through the round holes of the UniSeam snow guard fastener and secure the pipes in place by placing pipe fixing screws through the pipes, next to the outmost fasteners (figure 5).

The extensions of the pipes shall be done by sliding the pipe end with solid reducer inside the adjacent non-reduced pipe.

Max distance between fasteners 1200 mm (figure 1).

Max protrusion from the outermost fastener 200 mm (figure 1).

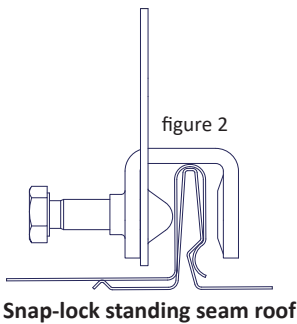


figure 2

Snap-lock standing seam roof

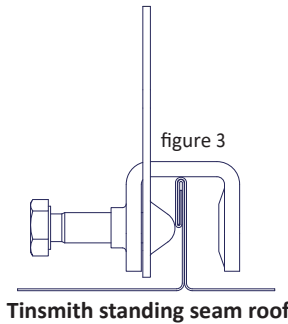


figure 3

Tinsmith standing seam roof

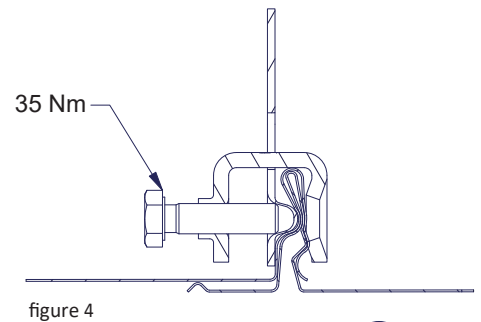


figure 4

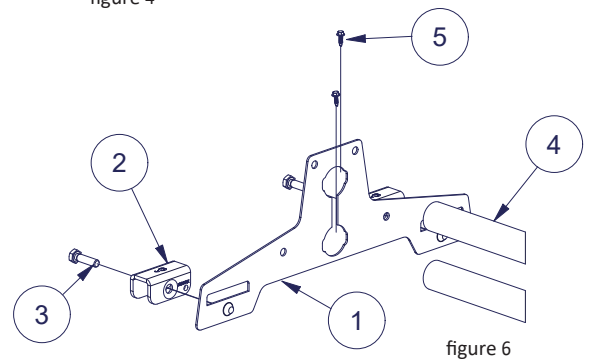


figure 6

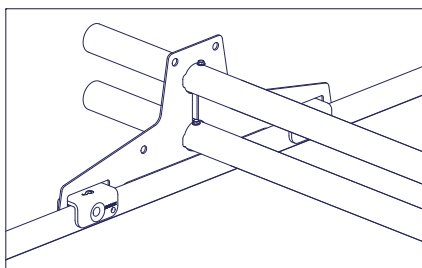


figure 5

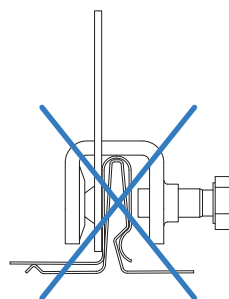


figure 7

Part	Description
1	SG fastener, Pisko UniSeam
2	SG Tightening Clamp, Pisko UniSeam
3	M8x35 Hexagon bolt
4	Snow guard pipe 32 mm / 3000 m
5	Pipe fixing screw, e.g. 4,8x25 self-tapping farmer screw or 4,8x19 self drilling screw

MAXIMUM LENGTH OF ROOF SLOPE (RT Reference Card 85-11132)

Indicative figures for the maximum distance (m) of the roof slope above the snow guard on a smooth surface. The maximum distance on coarse roofs, such as bitumen roofs can be increased by 1.3 – 1.5 times the stated amount. The snow load values shown are the actual snow loads on a roof.

Roof's inclination angle (°) and snow ratio (the ratio of the slope to the horizontal width of the roof pane)	Maximum length of slope above the snow guards					
The characteristic value of the snow load on the roof: 1,8 kN/m ²						
Space between the snow guard fasteners	0,5 m	0,6 m	0,75 m	0,9 m	1,0 m	1,2 m
Roof's inclination angle and snow ratio						
< 15°, (1:3,7)	21,4	17,9	14,3	12,0	10,7	9,0
15... 22°, 1:3,7... 1:2,5	11,4	9,5	7,6	6,3	5,7	4,8
22... 27°, 1:2,5... 1:2	8,4	7,0	5,6	4,7	4,2	3,5
27... 37°, 1:2... 1:1,3	7,4	6,2	4,9	4,1	3,7	3,1
37... 45°, 1:1,3... 1:1	9,0	7,5	5,9	5,0	4,5	3,7
The characteristic value of the snow load on the roof: 2,0 kN/m ²						
Space between the snow guard fasteners	0,5 m	0,6 m	0,75 m	0,9 m	1,0 m	1,2 m
Roof's inclination angle and snow ratio						
< 15°, (1:3,7)	19,1	16,1	12,9	10,8	9,6	8,1
15... 22°, 1:3,7... 1:2,5	10,2	8,6	6,9	5,7	5,1	4,3
22... 27°, 1:2,5... 1:2	7,6	6,3	5,1	4,2	3,8	3,2
27... 37°, 1:2... 1:1,3	6,7	5,6	4,4	3,7	3,3	2,8
37... 45°, 1:1,3... 1:1	8,2	6,8	5,3	4,5	4,1	3,3
The characteristic value of the snow load on the roof: 2,6 kN/m ²						
Space between the snow guard fasteners	0,5 m	0,6 m	0,75 m	0,9 m	1,0 m	1,2 m
Roof's inclination angle and snow ratio						
< 15°, (1:3,7)	15,0	12,5	9,9	8,3	7,5	6,2
15... 22°, 1:3,7... 1:2,5	8,0	6,6	5,3	4,4	4,0	3,3
22... 27°, 1:2,5... 1:2	5,8	4,8	3,9	3,3	2,9	2,4
27... 37°, 1:2... 1:1,3	5,2	4,3	3,4	2,8	2,6	2,1
37... 45°, 1:1,3... 1:1	6,2	5,2	4,1	3,5	3,1	2,6

PICTURED IS AN EXAMPLE OF SNOW GUARDS BEING USED ACCORDING TO THE TABLE.

Maximum length of the slope above the snow guards: 4,7 m

Roof angle 25°
Snow load 1,8 kN/m²

Space between the snow guard fasteners: 900 mm



Maximum length of the slope above the snow guards: 3,3 m

Roof angle 25°
Snow load 2,6 kN/m²

Space between the snow guard fasteners: 900 mm



Pisko Snow Guards are capable of bearing a load of at least 5 kN/m, in the direction of the inclined roof. By following the values in the table these requirements are fulfilled.

	Piristee Oy Metallitie 4 FI-62200 Kauhava
	Product: Pisko snow guards
Intended Purpose: A roof safety product – The snow guards are used for preventing snow and ice falling from the roof.	
Performance levels	
1. Minimum height	Declared
2. Extensions	Fixed
3. Static load-bearing capacity	With a 1.5-kN concentrated load and a 5-kN load in the inclination direction of the pitched roof area, the deflection is less than 20 mm and the permanent deflection less than 5 mm.
4. Corrosion resistance	Corrosion resistance class C3 medium

MAINTENANCE

Pisko products are hard-wearing and safe to use, guaranteed by the ongoing quality control and development work by Piristee Ltd, as well as correct installation of the products according to the manufacturer's instructions. To ensure the reliability and safety of the products, the property owner must carry out yearly inspection and maintenance procedures, and monitor that the snow load specified by the regulations is not exceeded.

- Check the tightness of joints, connections and attachments.
- Ensure any excessive snow load is cleared to minimize the strain on structures and attachment points (as necessary; there might be a need several times during the winter). Product durability in accordance with the certification certificate.
- Check the paintwork and zinc coating of the products; repair faults and touch up paintwork if necessary
- Replace or repair any damaged or faulty parts as soon as possible.