

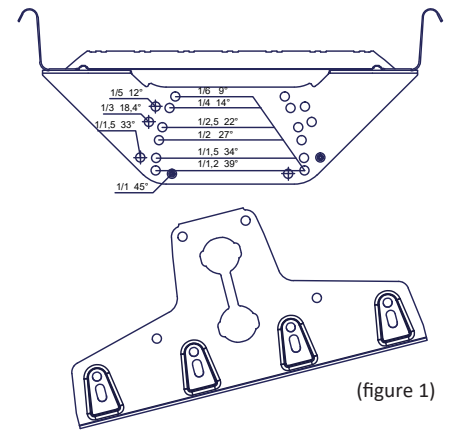
PISKO ROOF WALKWAY FOR STANDING SEAM ROOF, 1313

The roof walkways are used as extensions of the wall ladders and roof ladders in order to create safe access routes to maintenance targets on the roofs, such as the chimney. The access width of the walkway is 350 mm.

INSTALLATION

WALKWAY AND ROOF FASTENER -PARTS AND PREASSEMBLY

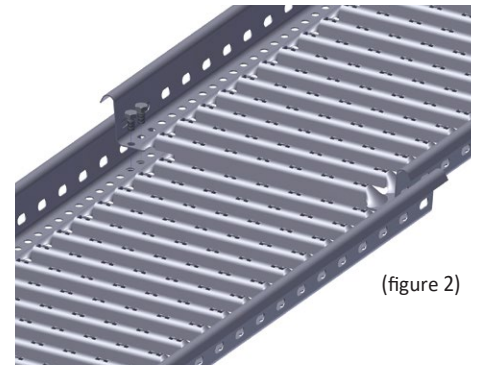
- The roof fastener for the walkway is a combination of LE SK 350 bracket and inclination adjustment plate. Start by fixing the inclination adjustment plate to the roof bracket (figure 1) by using 2 pcs of M8x16 hexagon bolts and M8 hexagon nuts.
- The most common roof inclinations and corresponding hole placements are demonstrated in figure 1. The roof walkway should be in horizontal position after final installation.



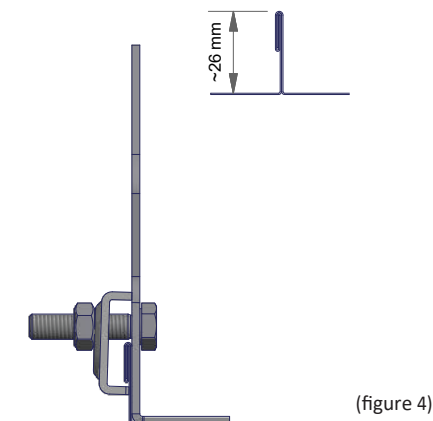
(figure 1)

INSTALLATION OF THE ROOF FASTENERS TO STANDING SEAM ROOF

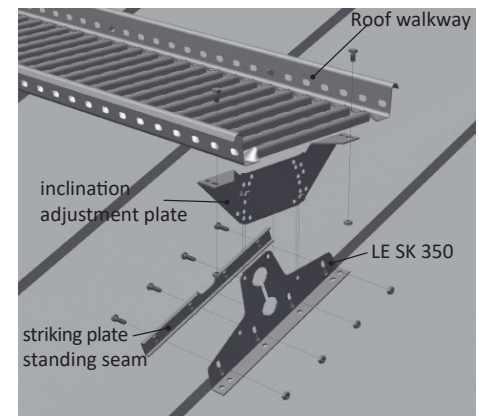
- The fasteners shall be installed to every second seam.
- LE SK 350 bracket and striking plate for standing seam creates a tight crimped connection. Use 4 pcs of M8x30 hexagon bolts and 4 pcs of M8 hexagon nuts to connect the parts together (figure 3 ja 4).
- The extension of the walkways shall be done by overlapping and securing the connection from both sides by using 2 pcs of M8x16 hexagon bolts and M8 hexagon nuts (figure 2).
- The distance between the adjacent roof brackets shall not be more than 1100 mm. The edges of the roof walkway chain shall not outreach the closest roof brackets by more than 200 mm.



(figure 2)



(figure 4)



(figure 3)

USE

A roof walkway must be used when the roof inclination is more than 1:8. If the height of the building is more than 9 meters, safety rope fixing structures must be provided (Finnish Ministry of the Environment, Decree on the safe use of buildings on January 1, 2018). Standard EN 516 provides two installation options for roof walkways: class 1 and class 2. Using personal fall protection equipment, a person is only allowed to attach themselves to a roof walkway, which is installed in accordance with class 2.

The Pisko roof walkway is manufactured in compliance with EN 516 and the roof walkway system with LE SK 350 and standing seam striking plate has passed the static and dynamic tests specified in the relevant standard for class 2.

A horizontal carriage that moves along the Pisko safety rail or, alternatively, a rope fastener is used as a safety-rope attachment point with Pisko roof walkways (see the separate installation instructions for these products). In addition, when a safety rope is used, the following shall be taken into account:

- Only one user at a time may attach a safety rope to the roof ladder, and the user's total mass, including equipment shall not exceed 150 kg.
- The distance between attachment points must be at least four (4) meters if more than one user is attached to the same roof walkway or horizontal safety rail.
- The safety rope may only be used on the side of the roof where the roof walkway is and in the direction of the eaves.

MAINTENANCE

Pisko products are hard-wearing and safe to use, guaranteed by the ongoing quality control and development work by Piristeel Ltd, as well as correct installation of the products according to the manufacturer's instructions. To ensure the reliability and safety of the products, the property owner must carry out yearly inspection and maintenance procedures, and monitor that the snow load specified by the regulations is not exceeded.

The property owner must have all roof safety products, that have been installed and used according to class 2, and personal safety equipment inspected by a professional authorized by the manufacturer.

Yearly maintenance inspection checklist for Pisko products:

- Check the tightness of joints, connections and attachments.
- Check the roof attachments (fixings).
- Ensure any excessive snow load is cleared to minimize the strain on structures and attachment points (as necessary; there might be a need several times during the winter).
- As necessary, clear the roof walkways of snow and ice.
- Check the paintwork and zinc coating of the products; repair faults and touch up paintwork if necessary
- Replace or repair any damaged or faulty parts as soon as possible.

Piristeel Oy Metallitie 4, 62200 Kauhava Finland 13
EN 516 Pisko Roof Walkway for standing seam roof, 1313 Type B Mechanical strength: Class 1 and Class 2 Reaction to fire: Class A1 Durability: Z275 + powder coating 80 µm External fire performance: DTS

This product has been installed by

COMPANY

INSTALLER

According to class 1:

According to class 2: