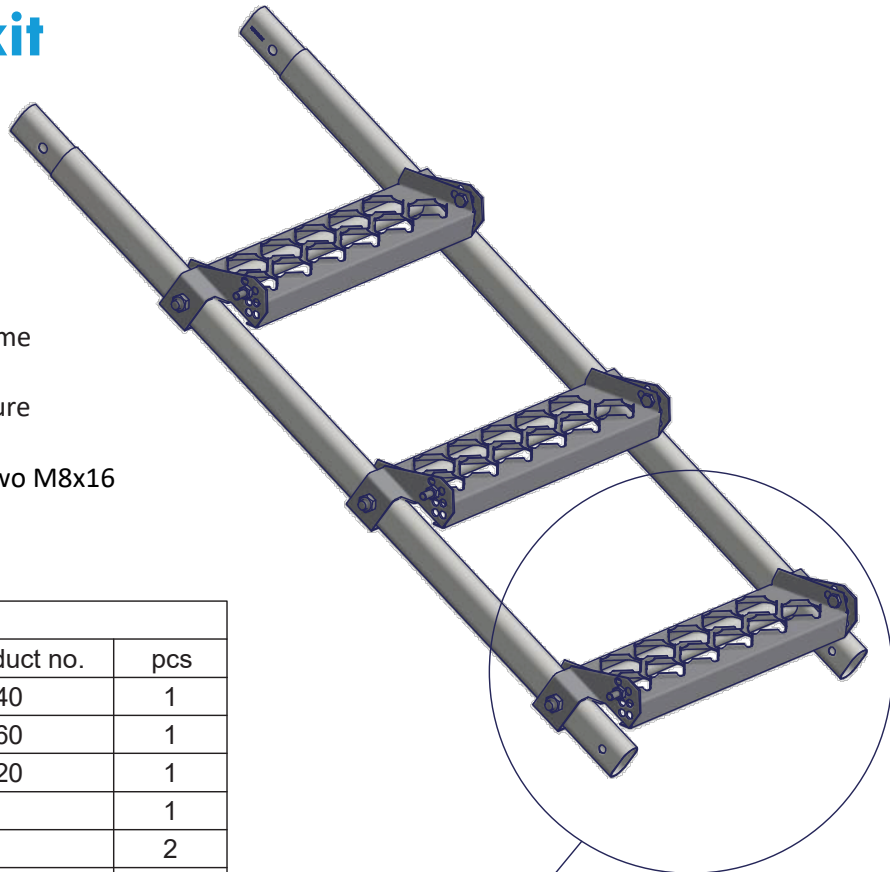


Roof ladder step level kit

INSTALLATION

- Attach the step level fasteners to the ladder frame with M10 threaded rod and M10 hexagon nut.
- Place the step level between fasteners and ensure that the step level is at right angle ($\pm 3'$).
- The step level shall be locked in position with two M8x16 hexagon bolts and M8 hexagon nuts.



Part list			
Part	Item	Product no.	pcs
1	Step level fastener, right	14740	1
2	Step level fastener, left	14760	1
3	Step level	14720	1
4	Threaded rod M10x500		1
5	M10 hexagon bolt		2
8	M8x16 hexagon nut		2
6	M8 hexagon bolt		2

